

Technical data sheet



Product features

Cooling counter GN 2D-1D2Z

Model	SAP Code	00013334
--------------	-----------------	----------



- Material: Stainless steel
- GN / EN size in device: GN 1/1
- Number of GN / EN: 3
- Number of doors: 1
- Number of drawers: 2
- Control type: Digital
- Minimum device temperature [°C]: -2
- Maximum device temperature [°C]: 8
- Max ambient temperature [°C]: 43
- Insulation thickness [mm]: 55
- Unit: Right

SAP Code	00013334	Number of drawers	2
Net Width [mm]	1360	Number of GN / EN	3
Net Depth [mm]	700	GN / EN size in device	GN 1/1
Net Height [mm]	900	Minimum device temperature [°C]	-2
Net Weight [kg]	98.00	Maximum device temperature [°C]	8
Power electric [kW]	0.208	Refrigerant	R290
Loading	230 V / 1N - 50 Hz	Worktop material	SS201
Energy class	B	Refrigerant weight [g]	108.00
Chamber volume [l]	206	Climate class	4
Number of doors	1		

Technical data sheet



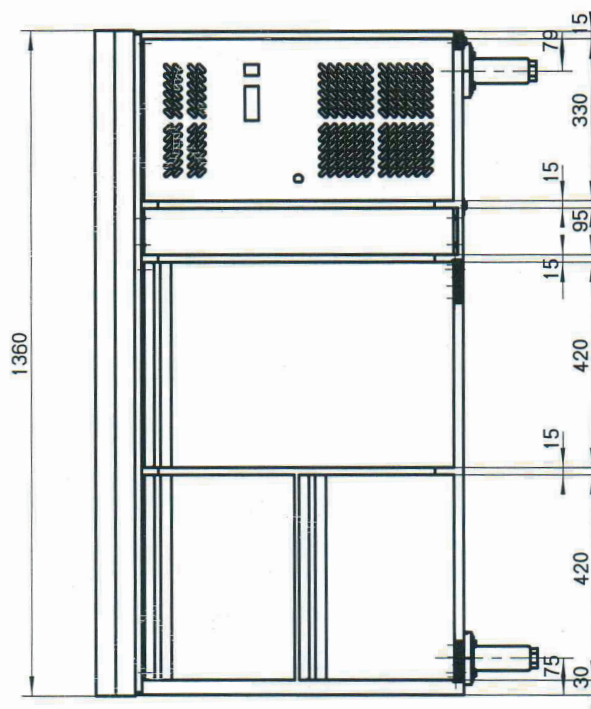
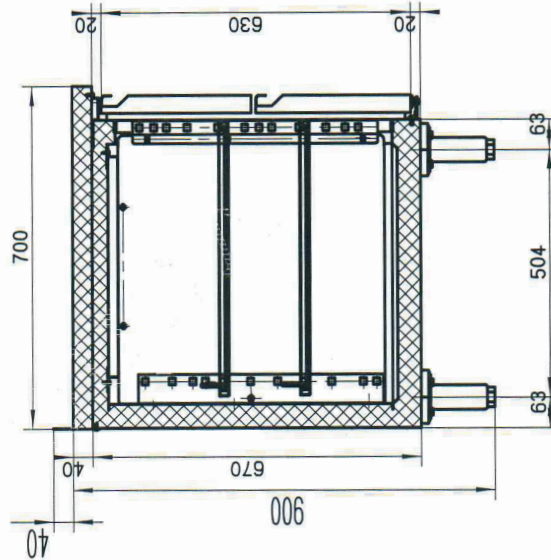
Technical drawing

Cooling counter GN 2D-1D2Z

Model

SAP Code

00013334



Technical data sheet



Technical parameters

Cooling counter GN 2D-1D2Z

Model	SAP Code	00013334
--------------	-----------------	----------

1. SAP Code:

00013334

2. Net Width [mm]:

1360

3. Net Depth [mm]:

700

4. Net Height [mm]:

900

5. Net Weight [kg]:

98.00

6. Gross Width [mm]:

1390

7. Gross depth [mm]:

730

8. Gross Height [mm]:

950

9. Gross Weight [kg]:

113.00

10. Device type:

Electric unit

11. Power electric [kW]:

0.208

12. Loading:

230 V / 1N - 50 Hz

13. Energy class:

B

14. Refrigerant:

R290

15. Cooling type:

Static with fan

16. Material:

Stainless steel

17. Exterior color of the device:

Stainless steel

18. Min ambient temperature [°C]:

10

19. Max ambient temperature [°C]:

43

20. Device properties 2:

Cooling

21. GN / EN size in device:

GN 1/1

22. Number of GN / EN:

3

23. Chamber volume [l]:

206

24. Worktop material:

SS201

25. Insulation thickness [mm]:

55

26. Number of doors:

1

27. Number of drawers:

2

28. Unit:

Right

Technical data sheet



Technical parameters

Cooling counter GN 2D-1D2Z

Model

SAP Code

00013334

29. Control type:

Digital

34. Number of grids:

3

30. Annual energy consumption [kWh]:

0

35. Gross Volume [m3]:

0.964

31. Minimum device temperature [°C]:

-2

36. Net Volume [m3]:

0.857

32. Maximum device temperature [°C]:

8

37. Climate class:

4

33. Refrigerant weight [g]:

108.00

38. Cross-section of conductors CU [mm²]:

0,5

- Výkon (kW): 2,4-3,3 (230 V)